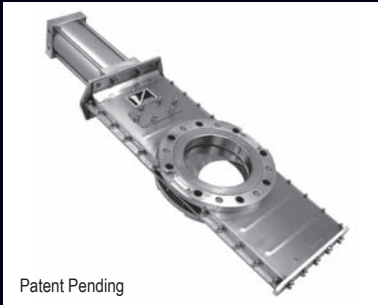




Slide Gate Valves

Quantum™ Orifice



Clear Action



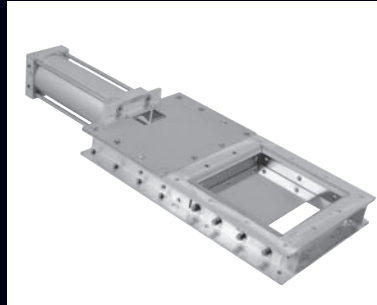
HDP®



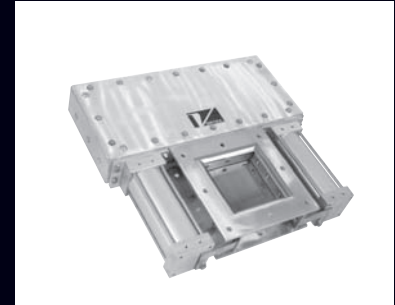
Maintenance



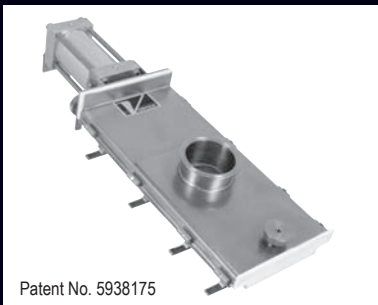
Roller



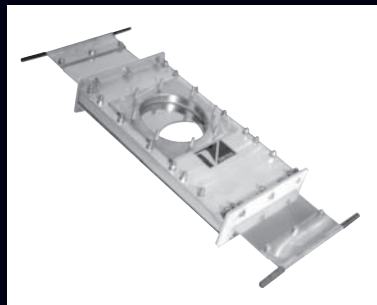
Dual Cylinder



Quick Clean Orifice



Hand Slide Orifice



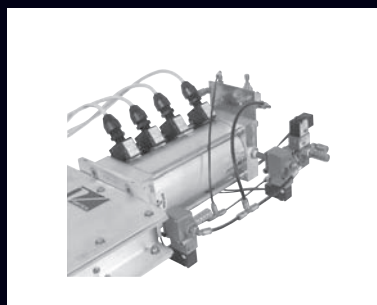
Aggregate



Engineered Gates



Metering Controls



Control Boxes



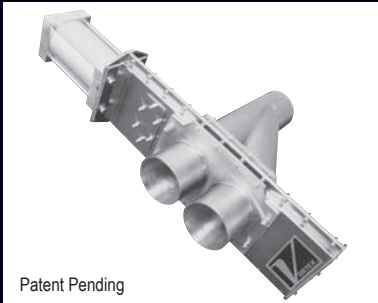
www.vortexvalves.com

Salina Vortex® Corporation - 1725 Vortex Ave - Salina, KS 67401 - Tel: +1.785.825.7177 - Fax: +1.785.825.7194 - Email: vortex@vortexvalves.com



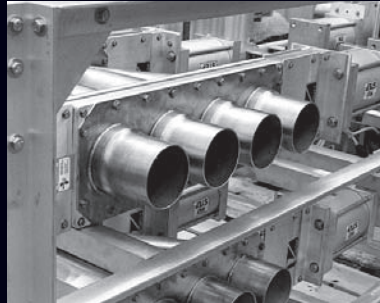
Diverter Valves

Quantum™ Wye Line

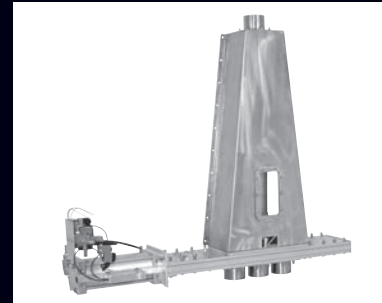


Patent Pending

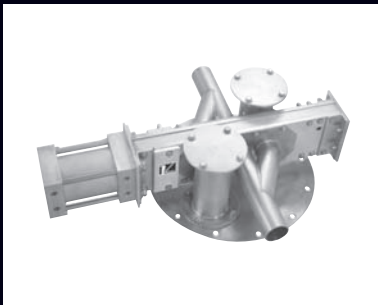
Multi-Port Wye Line



Flex Tube



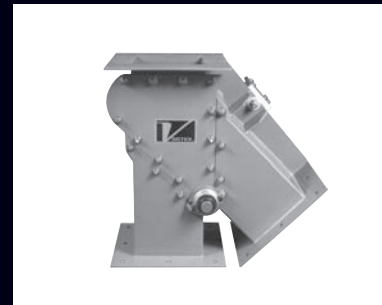
Fill Pass



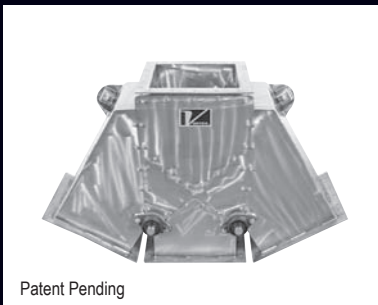
Gravity Vee



2-way Seal Tite™



3-way Seal Tite™



Patent Pending

Aggregate



Engineered Diverters



Iris & Butterfly Valves



Patent No. 7021604

Represented by:

© 2008 Salina Vortex® Corporation LC-0108

www.vortexvalves.com

Salina Vortex® Corporation - 1725 Vortex Ave - Salina, KS 67401 - Tel: +1.785.825.7177 - Fax: +1.785.825.7194 - Email: vortex@vortexvalves.com